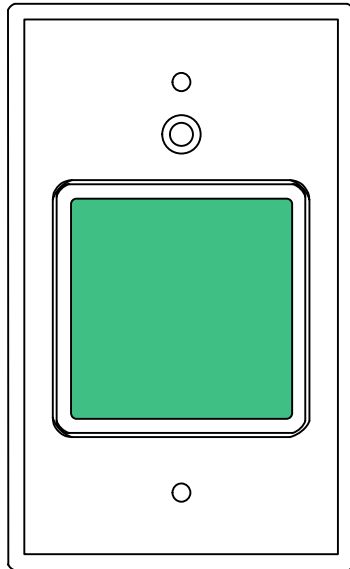


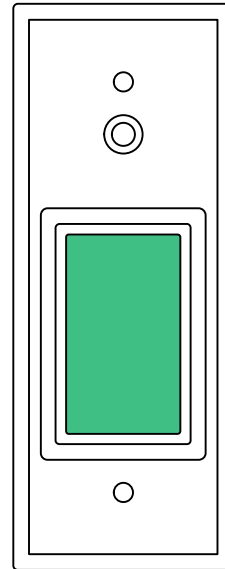


INSTALLATION INSTRUCTIONS

415N & 425 ON/OFF PUSH SWITCH



425

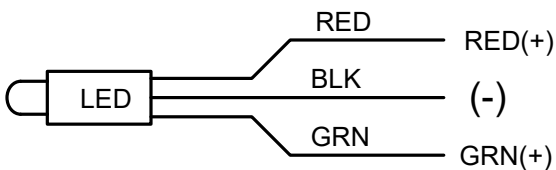


415N

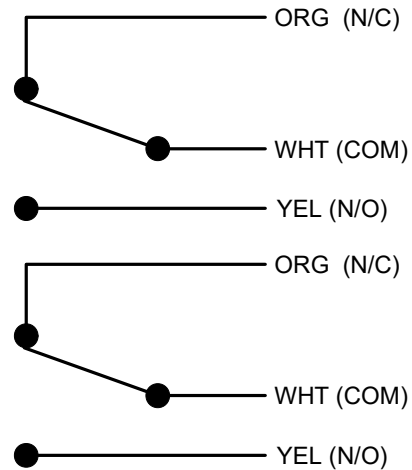
Electrical Specifications

Contact Type: DPDT (2 Form C)
Contact Ratings: 30VDC @ 5AMPS (Resistive)

Optional LED Wiring (24VDC)



Switch Wiring



Any suggestions or comments to this instruction or product are welcome. Please contact us through our website or email engineer@sdsecurity.com