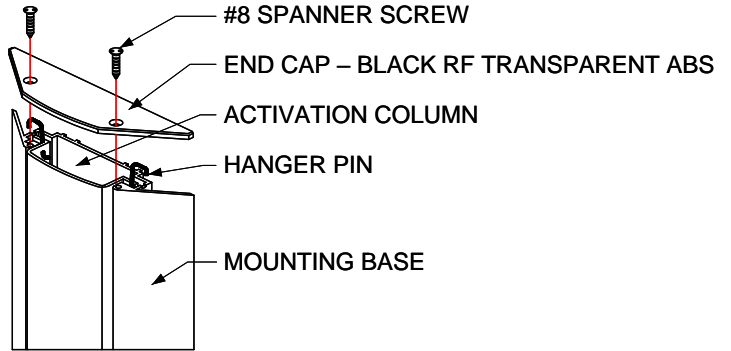
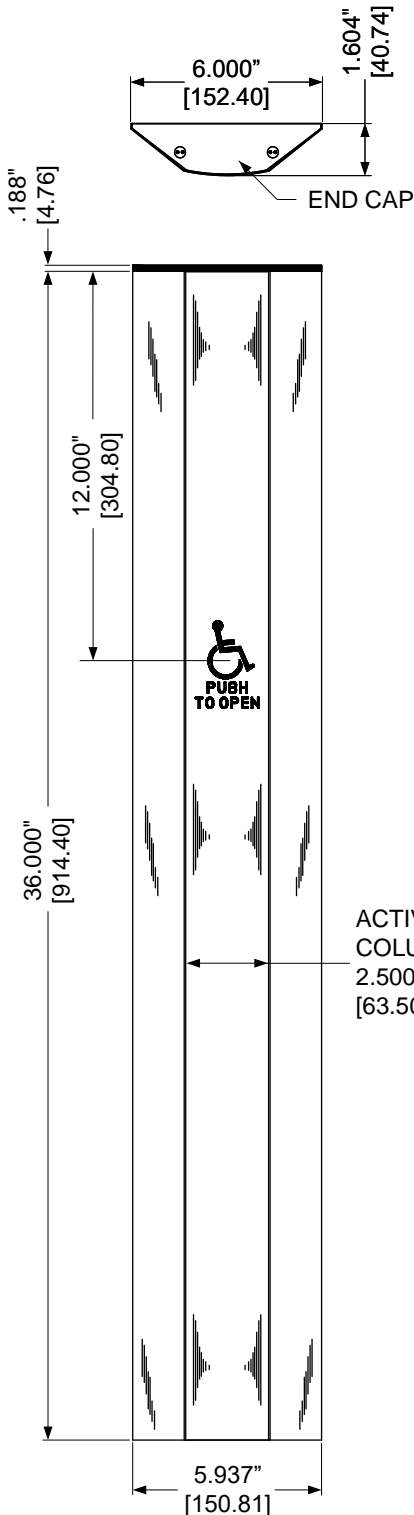




INSTALLATION INSTRUCTIONS

482AA36 / 484AA36 INGRESS-REX TOUCH PANEL 36" x 6" PUSH TO OPEN



DESCRIPTION

"Knowing Act" automatic door control with contoured profile.

Specified in:

MasterFormat™ 1995: Section 08 710 DOOR HARDWARE

MasterFormat™ 2004: Section 08 7120 AUTOMATIC DOOR CONTROLS

DIMENSIONS

Overall: 36" height x 6" wide x 1-1/2" deep [914 x 152 x 38mm]

Center activation column: 36" x 2-1/2" [914 x 64mm]

MATERIALS:

Anodized Aluminum extrusion; Alloy 6063 T5. Typical thickness: 3/32" [2.4mm]

FINISHES

Anodized Aluminum: Clear;

Dark Bronze

ACTIVATION

Maximum horizontal movement of activation column; less than 1/4" (6mm)

Maximum horizontal force to activate: 283 grams at all points on column

WALL MOUNTING HEIGHT

Recommended at 3" from finished floor. Consideration can be given to existing conditions. Allows for activation from average footrest elevation in adult wheelchair users.

CONTACT RATING

482AA36 – SPDT, Momentary, 15 A @ 125 / 250 VAC; 2A @ 48VDC

484AA36 – DPDT, Momentary, 15 A @ 125 / 250 VAC

SUPPLIED HARDWARE

- (4) Ribbed Drywall anchors
- (4) Lag screw masonry anchors
- (4) 1-1/4" slotted anchor screws
- (4) 1/4-20 Stainless flathead machine screws
- (2) Wire nuts

Touch Panel Mounting Instructions

Touch Pane is shipped fully assembled!

1. Remove Spanner Screws from the End Cap. NOTE:- SPECIAL TOOL NEEDED - #8 Spanner screwdriver bit. Slide the Activation Column out of the Mounting Base. (See FIG. 1)
2. **NOTE:** This unit is not designed to mount to a junction box. Use the enclosed hardware to mount directly to a vertical surface. Conduit access points (2) in the base are located at typical site conditions for wiring convenience.
3. **Mounting Options** (See FIG. 2):
 - Wall mount:** Position the Mounting Base at the required location. Mark the locations of the Mounting Holes. Install the appropriate supplied Anchors into wall. Adjust Jack Screws to prevent the Mounting Base from conforming to irregularities in the wall. Install the supplied Anchor Screws through the Jack Screws and Mounting Base into the Anchors.
 - Bollard mount (prepped bollard):** Position the Mounting Base at the required location. Adjust Jack Screws to make Mounting Base level and plumb. Install the supplied Machine Screws through the Jack Screws and Mounting Base into bollard.
 - Bollard mount (unprepped bollard):** Position the Mounting Base at the required location. Mark the locations of the Mounting Holes. Drill and tap bollard for ¼-20 machine screws. Adjust Jack Screws to make Mounting Base level and plumb. Install the supplied Machine Screws through the Jack Screws and Mounting Base into bollard.
6. **Wiring Options**
 - Hard-wired:** Use the supplied wire nuts to connect the wires from the Switch Harness to the field wiring.
 - Wireless Transmitter:** Use the supplied wire nuts to connect the wires from the Switch Harness to the Transmitter activation wires. Use double-sided tape to secure Transmitter to the upper portion of the Mounting Base (see FIG. 2).
7. Slide the Activation Column back into the Mounting Base. Compress the Switch Spring as the Actuator passes the switch. The Hanger Pins should rest in the slots at the top of the Mounting Base (see FIG. 1).
8. Position the End Cap onto the top of the Mounting Base. Attach with the previously removed spanner security screws (see FIG. 1).

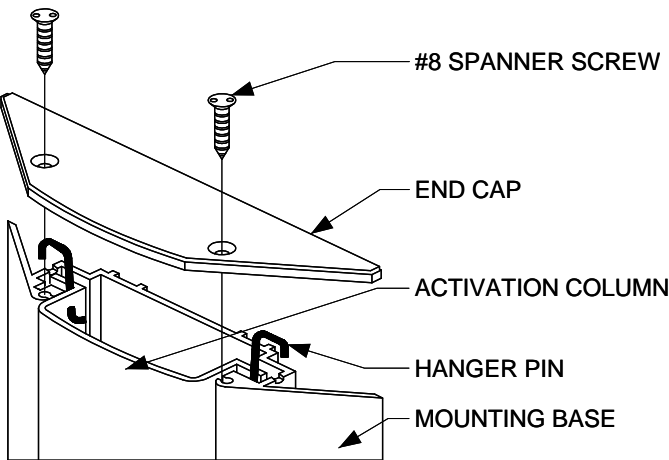


FIG. 1

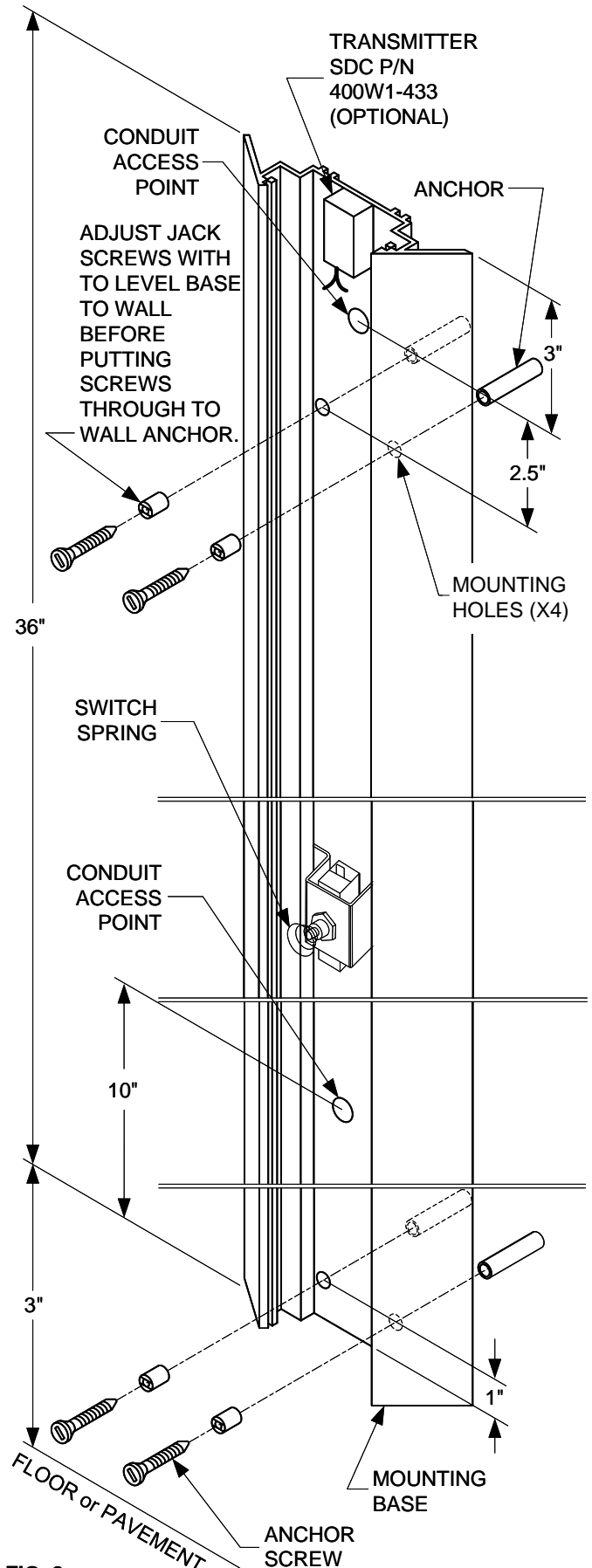


FIG. 2