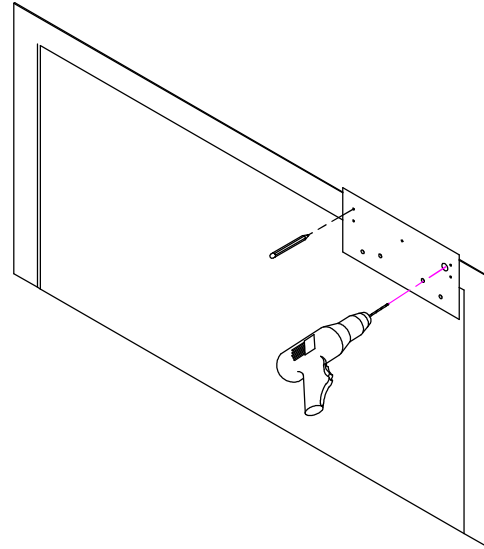




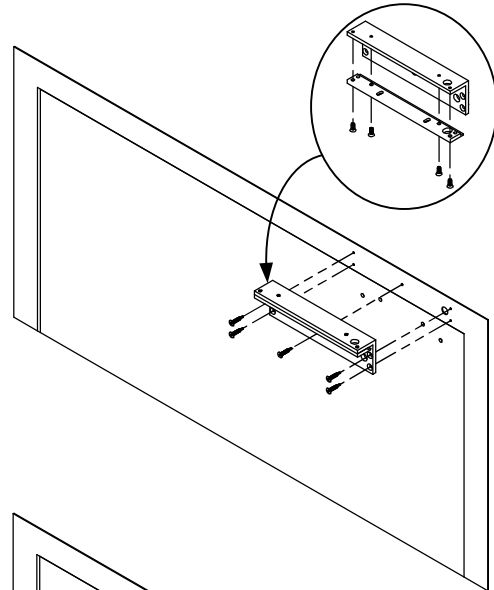
# INSTALLATION INSTRUCTIONS

## TJ81 TOP JAMB MOUNTING KIT

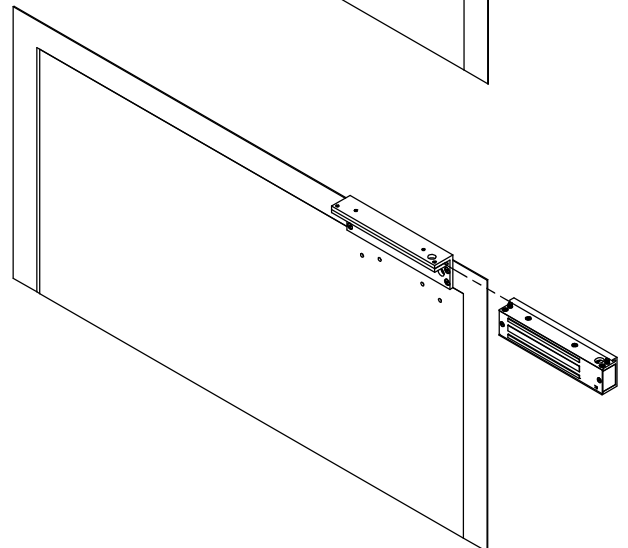
1. Place template against top of frame & door.  
Mark & drill holes according to template.



2. Assemble Frame Bracket & Lock Mounting Bracket. Install onto top of frame.

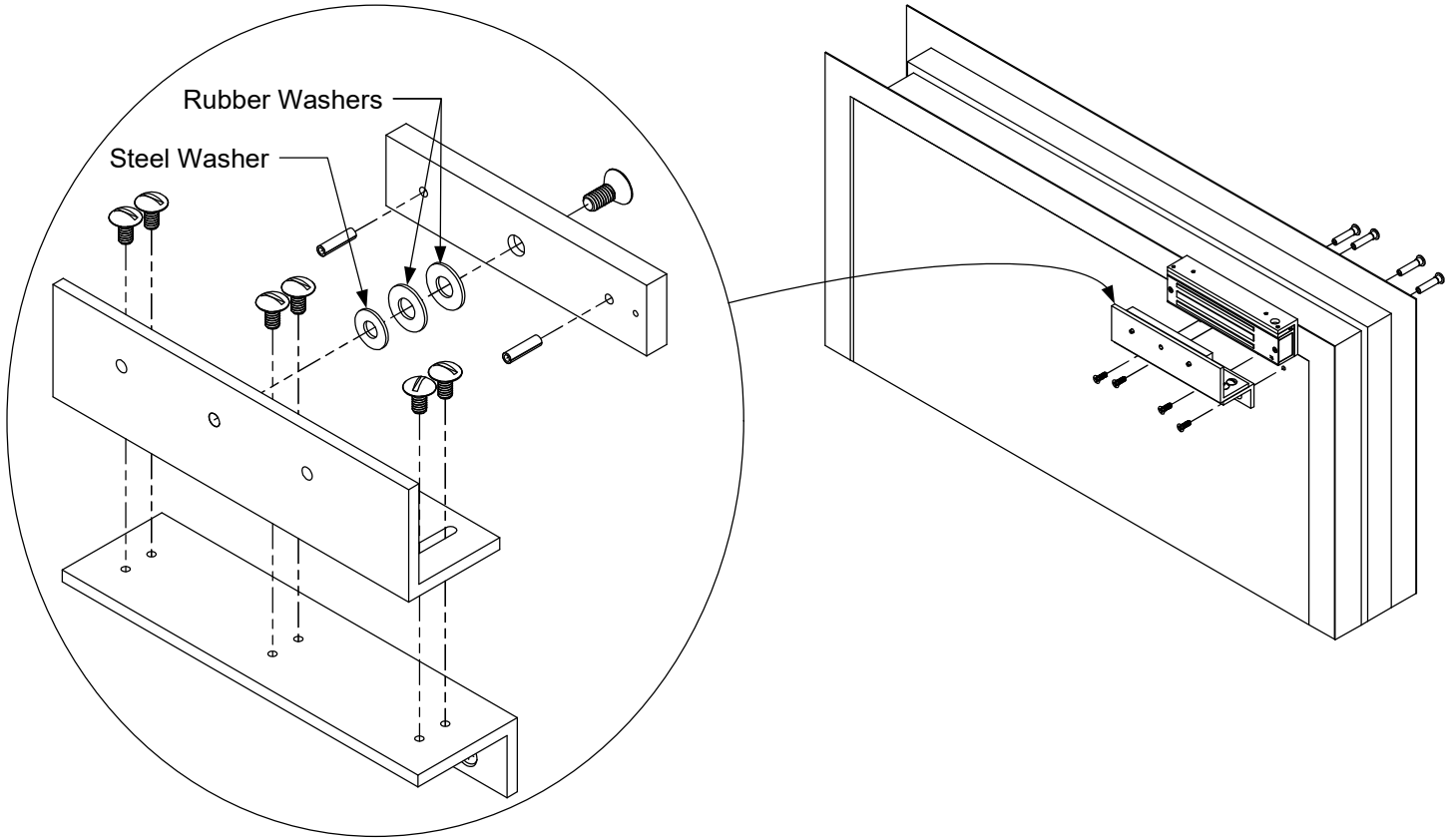


3. Install Lock onto Frame Bracket assembly. Tighten integrated bolts to secure Lock in position.





4. Assemble Armature Brackets as shown, using a minimum of at least 1 Rubber Washer add additional if required. Install Armature Bracket Assembly onto door. Armature should just make contact with Lock. Adjust the offset of Armature Bracket as needed.



### Final Assembly Diagram

