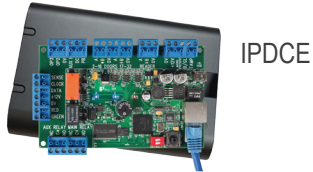


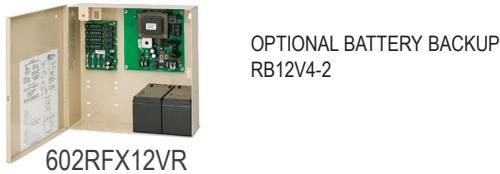
IP Pro™ Access Control Solution

Single Door Electric Strike Application

1 Access Control IP Controller



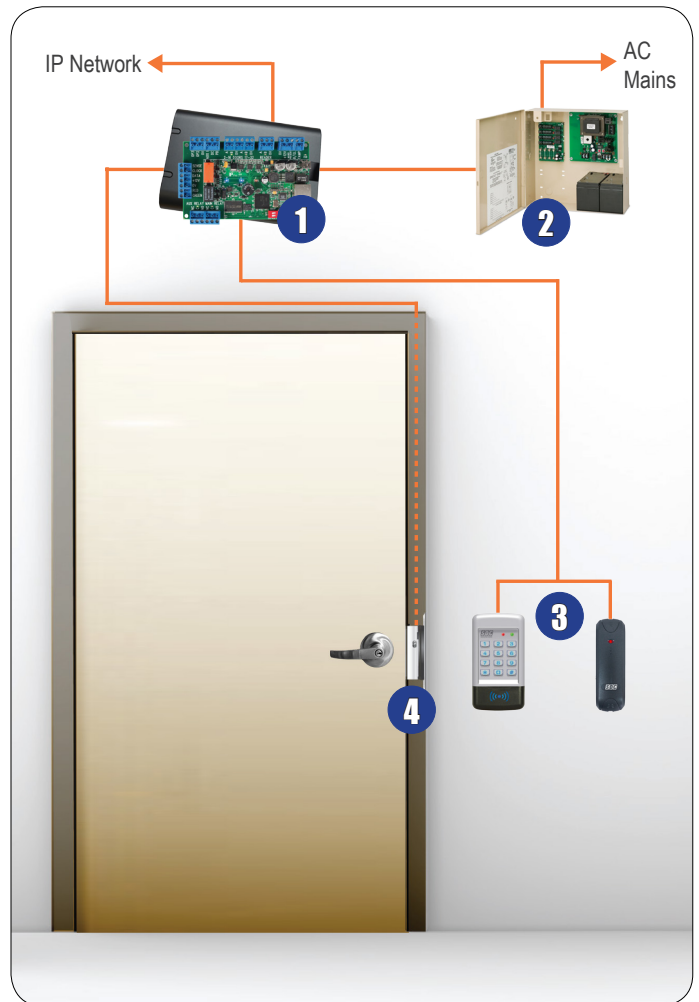
2 Power Supply LISTED 12 and 24VDC Output



3 Wiegand Reader Options (Choose one): Prox Reader or Keypad-Prox Combo



4 Electric Strike LISTED (Choose one): Centerline Latch Entry or No Center Line Relocation*



SYSTEM OPERATION

Door is normally closed and secured by an electrified lockset.

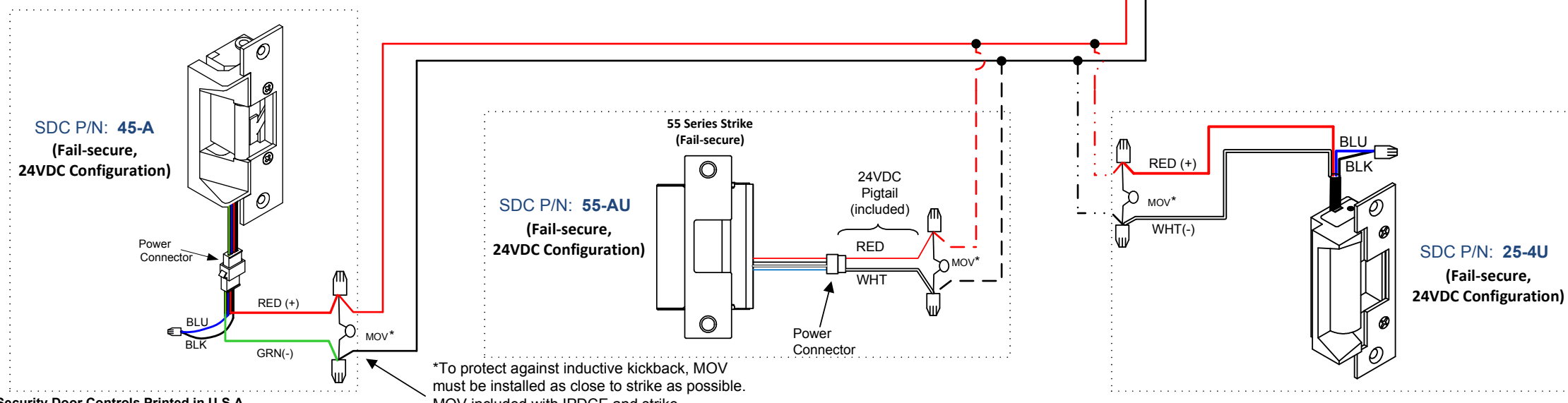
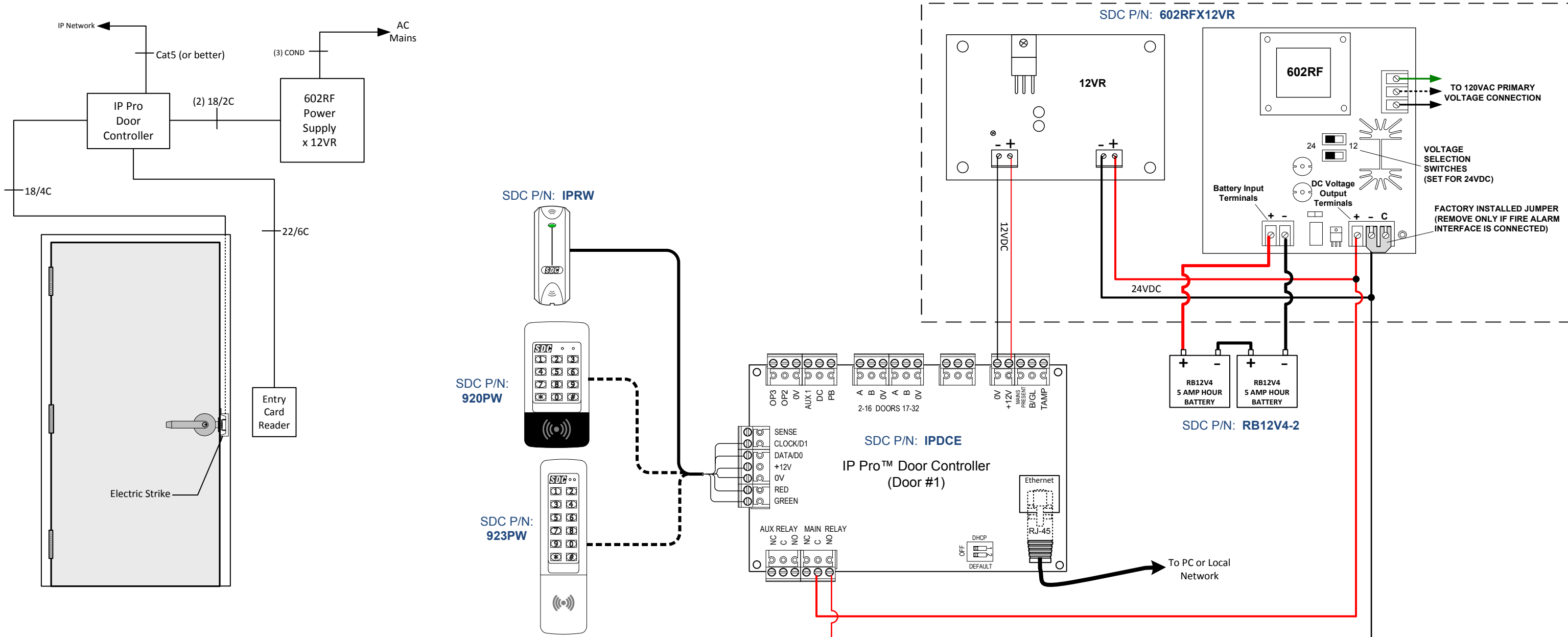
Emergency Override: The door may be accessed by key override.

Authorized Access: Presenting a valid card or entering a valid user code on the reader will momentarily unlock the door for access. The unlock time will be configured by the access control programming. The door may also be programmed for maintained access.

Low Voltage: System is powered by a regulated & filtered power supply with 12VDC output for access control equipment and 24VDC output for locking hardware to maximize efficiency. Loss of power will result in unsecured door, unless equipped with optional battery back-up.

Authorized Egress: Free egress is available at all times by turning the inside lever, retracting the latchbolt, and opening the door.

IP-based Access Control: User-friendly programming interface via a built-in web server, accessible from any networked PC.



- System Components:**
- (1) 602RFX12VR – 1 Amp Regulated Power Supply w/ Fire Alarm Interface & 12VDC Output Module.
 - (1) IPDCE – IP Pro™ Single Door Controller
- Choose (1) Card Reader:
- IPRW – Indoor/Outdoor Proximity Card Reader
 - 920PW – Single Gang Indoor/Outdoor Proximity Card Reader w/ integral Keypad
 - 923PW – Frame mount Indoor/Outdoor Proximity Card Reader w/ integral Keypad
- Choose (1) Electric Strike:
- 45-A – Universal Electric Strike for use with locksets having up to 3/8" latchbolts, UL Listed, 630
 - 55-AU – Universal Heavy-duty Grade 1 Strike for cylindrical locks, mortise locks without deadbolts and mortise exit devices
 - 25-4U – Low-Profile Electric Strike, 630
- (1) RB12V4-2 – Two 5Ah 12VDC Backup Batteries (Optional)
 - (1) HID1346-10 – Ten Proximity Key Fobs (Optional)

© 2015 Security Door Controls Printed in U.S.A

<p>Security Door Controls 801 Avenida Acaso Camarillo, CA 93012 t 805.494.0622 ~ f 805.494.8861 www.sdcsecurity.com</p>	<p>NOTE: ALL WIRING MUST BE REVIEWED AND APPROVED BY THE PROJECT ENGINEER ASSIGNED TO THE LOCATION FOR ITS CORRECTNESS AND SUITABILITY FOR THE APPLICATION IN WHICH THE EQUIPMENT IS INSTALLED AND OPERATED. ALL WIRING MUST CONFORM TO NATIONAL, STATE, AND LOCAL CODES FOR CLASS 2 FIRE PROTECTION AND CONTROL DEVICES.</p>	PROJECT NAME:	IP Pro™ 1-Door System with Electric Strike			SO NO.:	-	REV	-					
		LOCATION:	--			DIST.:	-	CONTACT:	service@sdsecurity.com	DATE:	07/2015	DRAWN BY:	-	DWG. NO.: