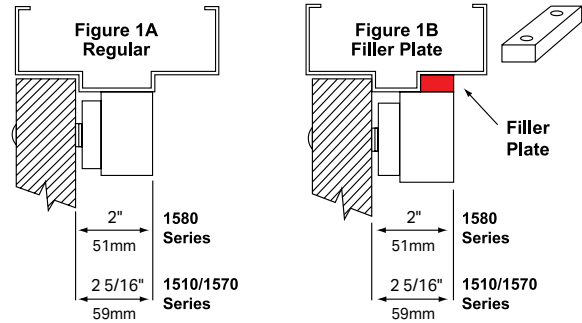


# MOUNTING KITS & HARDWARE



## FILLER PLATES

For extension of the stop to provide a proper mounting surface on the underside of the header. See figure 1B. SDC filler plates are aluminum 628 finish. Consult factory for special finishes.



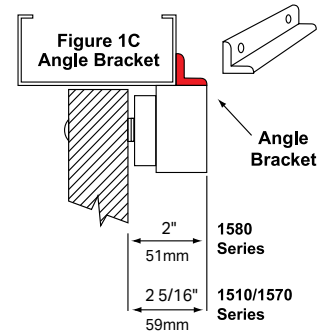
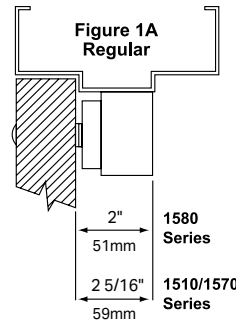
### COMPATIBLE MAGNETIC LOCKS

Dimensions	1511	1512	1571	1572	1581	1582	E1200
<b>FP01V</b> 1/8" x 1 1/4" x 8 3/4"	----	----	----	----	Yes	----	----
<b>FP02V</b> 1/4" x 1 1/4" x 8 3/4"	----	----	----	----	Yes	----	----
<b>FP03V</b> 3/8" x 1 1/4" x 8 3/4"	----	----	----	----	Yes	----	----
<b>FP04V</b> 1/2" x 1 1/4" x 8 3/4"	----	----	----	----	Yes	----	----
<b>FP05V</b> 5/8" x 1 1/4" x 8 3/4"	----	----	----	----	Yes	----	----
<b>FP11V</b> 1/8" x 1 1/4" x 11"	Yes	----	Yes	----	----	----	----
<b>FP12V</b> 1/4" x 1 1/4" x 11"	Yes	----	Yes	----	----	----	----
<b>FP13V</b> 3/8" x 1 1/4" x 11"	Yes	----	Yes	----	----	----	----
<b>FP14V</b> 1/2" x 1 1/4" x 11"	Yes	----	Yes	----	----	----	----
<b>FP15V</b> 5/8" x 1 1/4" x 11"	Yes	----	Yes	----	----	----	----
<b>FP21V</b> 1/8" x 1 1/4" x 22"	----	Yes	----	Yes	----	----	----
<b>FP22V</b> 1/4" x 1 1/4" x 22"	----	Yes	----	Yes	----	----	----
<b>FP23V</b> 3/8" x 1 1/4" x 22"	----	Yes	----	Yes	----	----	----
<b>FP24V</b> 1/2" x 1 1/4" x 22"	----	Yes	----	Yes	----	----	----
<b>FP25V</b> 5/8" x 1 1/4" x 22"	----	Yes	----	Yes	----	----	----
<b>FP30V</b> 1/8" x 1 1/4" x 17 1/2"	----	----	----	----	----	Yes	----
<b>FP31V</b> 1/4" x 1 1/4" x 17 1/2"	----	----	----	----	----	Yes	----
<b>FP32V</b> 3/8" x 1 1/4" x 17 1/2"	----	----	----	----	----	Yes	----
<b>FP33V</b> 1/2" x 1 1/4" x 17 1/2"	----	----	----	----	----	Yes	----
<b>FP34V</b> 5/8" x 1 1/4" x 17 1/2"	----	----	----	----	----	Yes	----
<b>E12F01</b> 5/8" x 3/4" x 10 1/2"	----	----	----	----	----	----	Yes
<b>E12F02</b> 3/4" x 3/4" x 10 1/2"	----	----	----	----	----	----	Yes



# ANGLE BRACKETS

Used as extension on shallow door frames to provide adequate mounting surface. See figure 1C. SDC angle brackets are aluminum 628 finish. Consult factory for special finishes.



## COMPATIBLE MAGNETIC LOCKS

Dimensions	1511	1512	1571	1572	1581	1582	E1200
<b>AB01V</b> 1" x 1" x 8¾"	----	----	----	----	Yes	----	----
<b>AB02V</b> 1" x 1½" x 8¾"	----	----	----	----	Yes	----	----
<b>AB03V</b> 1½" x 1½" x 8¾"	----	----	----	----	Yes	----	----
<b>AB04V</b> 2" x 1½" x 8¾"	----	----	----	----	Yes	----	----
<b>AB11V</b> 1" x 1" x 11"	Yes	----	Yes	----	----	----	----
<b>AB12V</b> 1" x 1½" x 11"	Yes	----	Yes	----	----	----	----
<b>AB13V</b> 1½" x 1½" x 11"	Yes	----	Yes	----	----	----	----
<b>AB14V</b> 2" x 1½" x 11"	Yes	----	Yes	----	----	----	----
<b>AB21V</b> 1" x 1" x 22"	----	Yes	----	Yes	----	----	----
<b>AB22V</b> 1" x 1½" x 22"	----	Yes	----	Yes	----	----	----
<b>AB23V</b> 1½" x 1½" x 22"	----	Yes	----	Yes	----	----	----
<b>AB24V</b> 2" x 1½" x 22"	----	Yes	----	Yes	----	----	----
<b>AB30V</b> 1" x 1" x 17½"	----	----	----	----	----	Yes	----
<b>AB31V</b> 1" x 1½" x 17½"	----	----	----	----	----	Yes	----
<b>AB32V</b> 1½" x 1½" x 17½"	----	----	----	----	----	Yes	----
<b>AB33V</b> 2" x 1½" x 17½"	----	----	----	----	----	Yes	----
<b>E12L</b> 1½" x ¾" x 10½"	----	----	----	----	----	----	Yes