

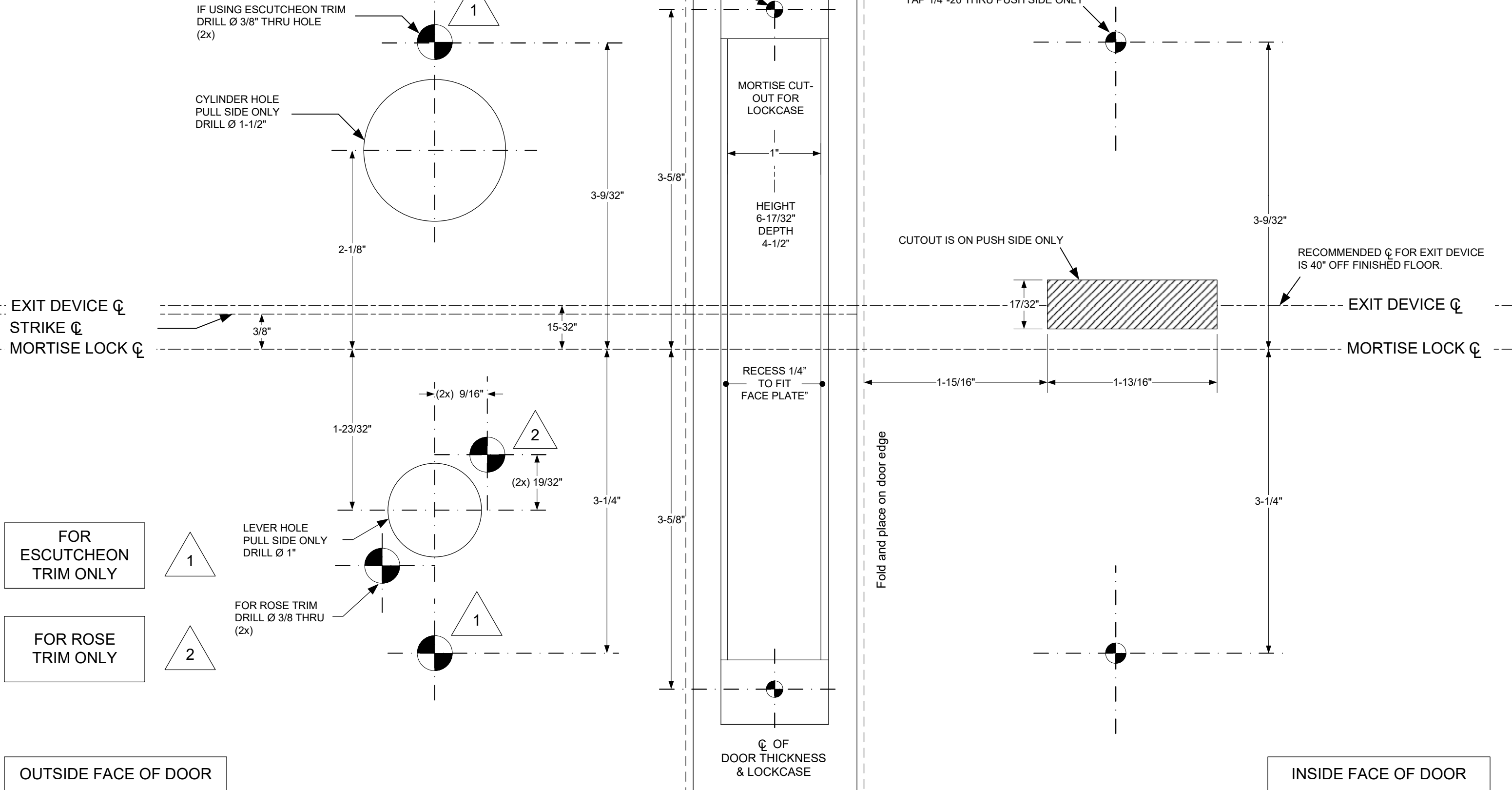


SECURITY DOOR CONTROLS ■ WWW.SDCSECURITY.COM
 801 Avenida Acaso, Camarillo, CA 93012
 [t] 800.413.8783 ■ 805.494.0622 ■ E-mail: service@sdsecurity.com

TEMPLATE-S6300FH-125

Devices covered by this template:
Panic / Fire Mortise Exit Device.

FOR LHR DOOR
FOR OPPOSITE HAND
PLEASE SEE REVERSE SIDE
TEMPLATE
 Mortise Lock Exit Devices



FOR ESCUTCHEON TRIM ONLY

FOR ROSE TRIM ONLY

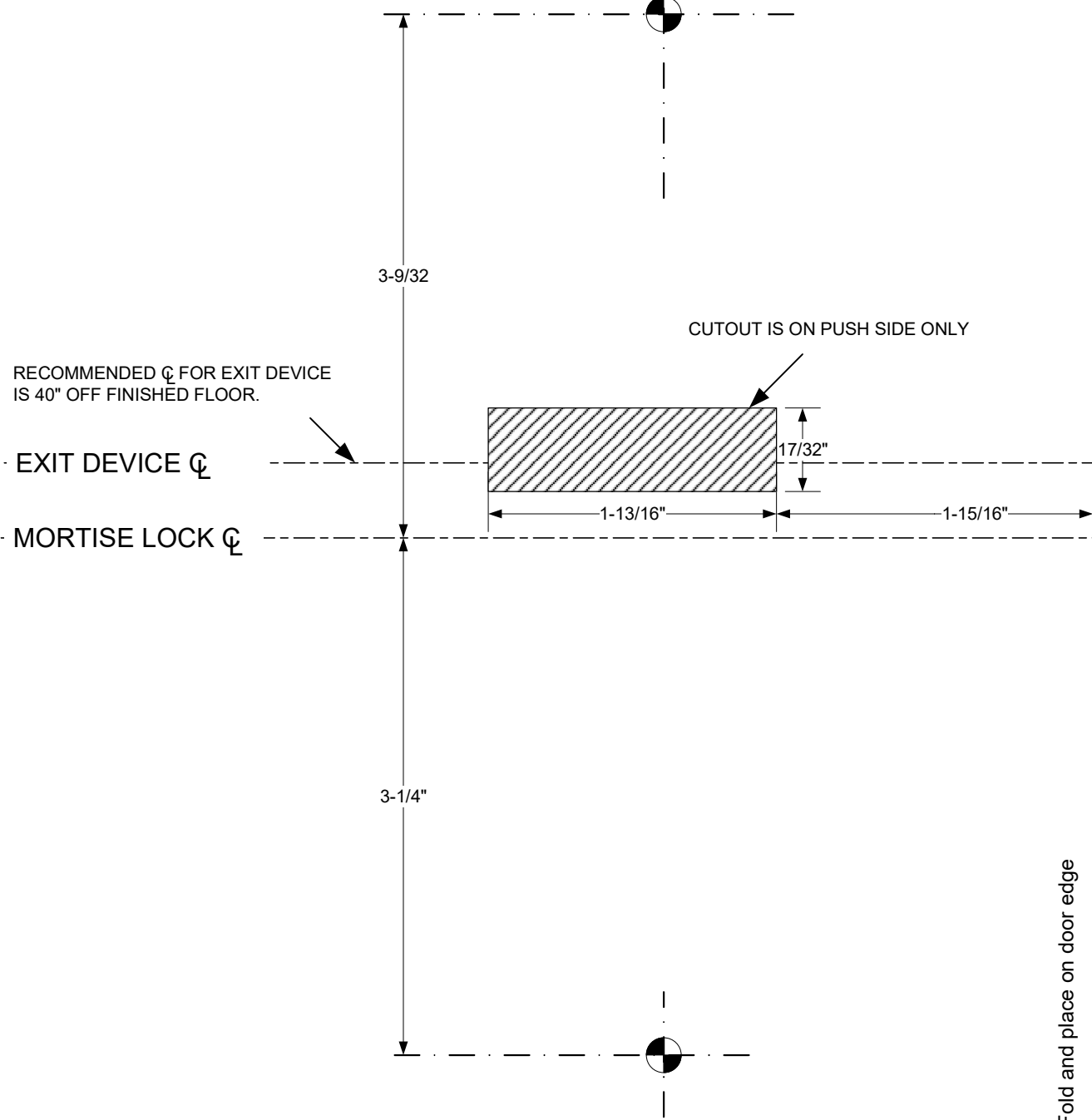
OUTSIDE FACE OF DOOR

INSIDE FACE OF DOOR

FOR RHR DOOR
FOR OPPOSITE HAND
PLEASE SEE REVERSE SIDE

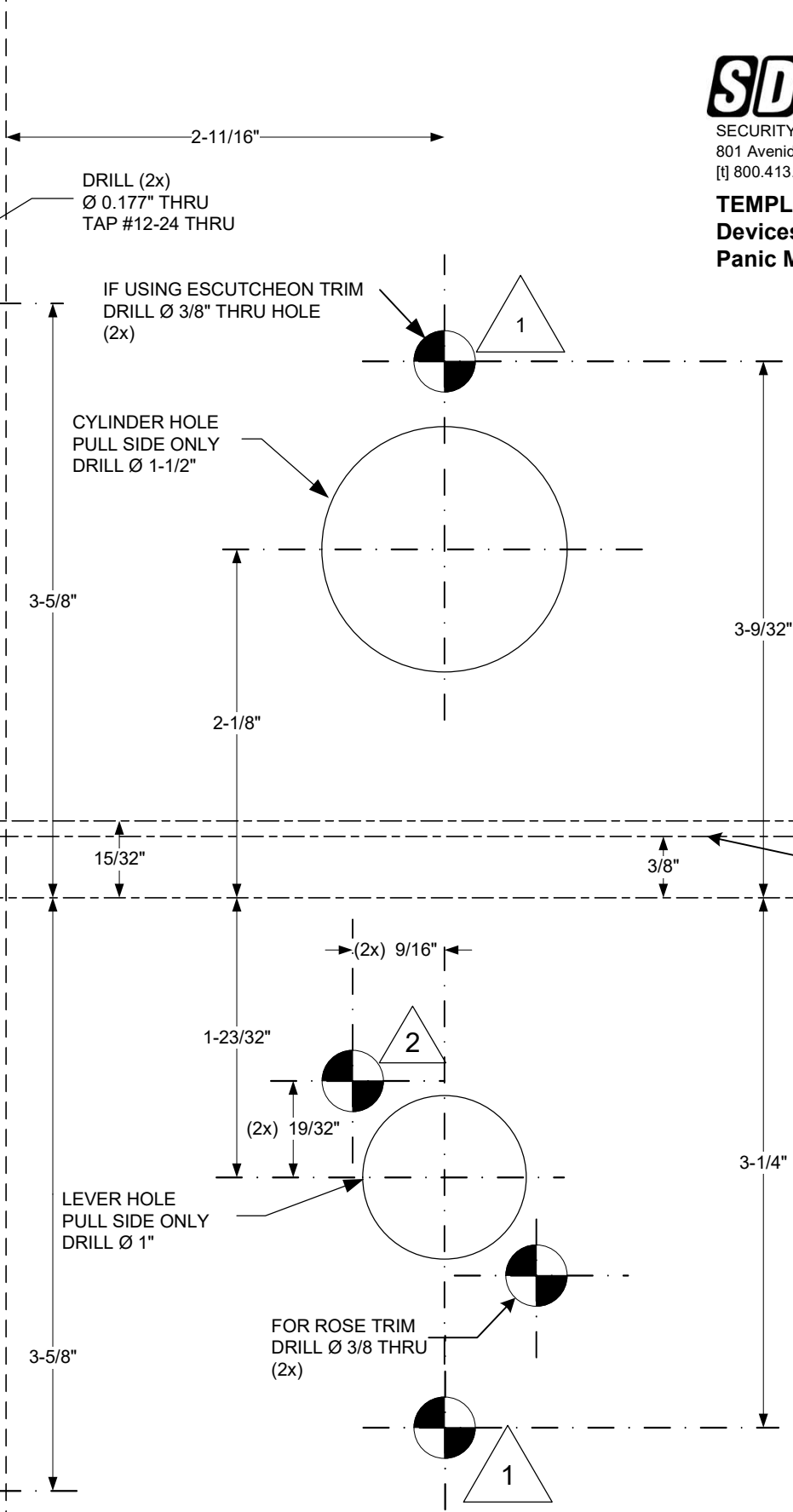
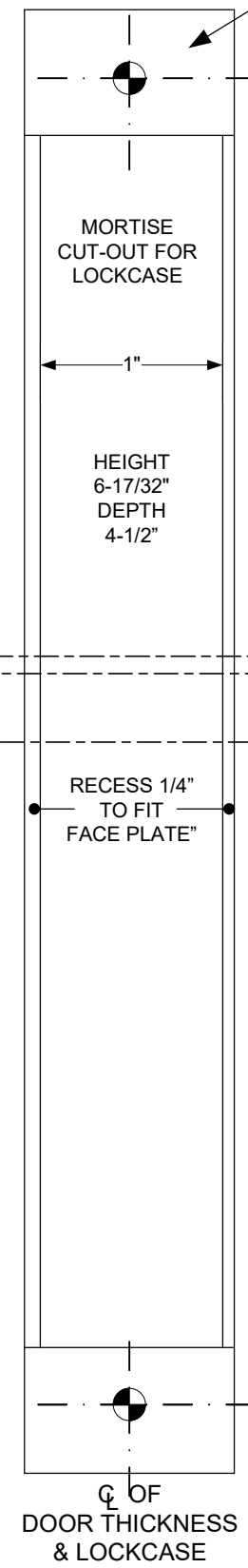
TEMPLATE
Mortise Lock Exit Devices

IF NOT USING TRIM DRILL (2x)
7/32" Dia. THRU PUSH SIDE ONLY
TAP 1/4"-20 THRU PUSH SIDE ONLY



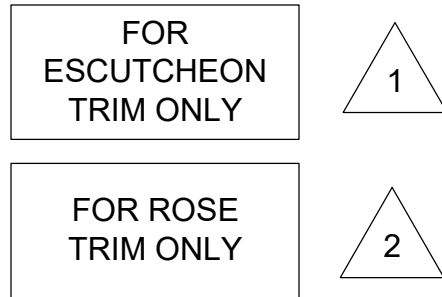
Fold and place on door edge

NOTE:
This template is for
1-3/4" thick door. For
thicker doors, tear off
here and locate ϕ of
lock on ϕ of edge of
door.



SDC
SECURITY DOOR CONTROLS ■ WWW.SDCSECURITY.COM
801 Avenida Acaso, Camarillo, CA 93012
[t] 800.413.8783 ■ 805.494.0622 ■ E-mail: service@sdsecurity.com

TEMPLATE-S6300FH-125
Devices covered by this template:
Panic Mortise Device and Fire Mortise Device.



INSIDE FACE OF DOOR

OUTSIDE FACE OF DOOR

TEMP-S6303FH-125 STRIKE TEMPLATE 1-1/4" ~ 1-3/4" FRAMES

NOT TO SCALE

